
OC810

Outdoor Camera



Installation Guide

P/N: 957YU601GJ Document Version: 1.0

Copyright 2011. All Rights Reserved.

All trademarks and trade names are the properties of their respective owner

Package Contents

The following items should be included: If any of these items are damaged or missing, please contact your service provider immediately.

1. Outdoor Camera



2. Antenna



3. 6 feet long Power adapter



4. Mounting Swivel Connector



5. Mounting Stand



6. Mounting Base



7. Mounting Screws



8. Ethernet Cable (with water sealing cap)



9. 6 feet Power Extension Cable (with water sealing cap)



Chapter 1

Introduction



This Chapter provides details of the Outdoor Camera's features, components and capabilities.

Overview

The Outdoor Camera has an Integrated Microcomputer and a high quality digital-Image-Sensor, enabling it to display high quality live streaming video.

Features

- **Standalone Design:** The Outdoor Camera is a standalone system with built-in CPU and Video encoder. It requires only a power source and a connection to your Router.
- **Triple Video Support:** The Outdoor Camera can support H.264, MPEG4 and MJPEG video for different image compression.
- **Wired and Wireless Network Support:** The Outdoor Camera supports either wired or wireless transmission.
- **PIR (Passive Infrared Sensor) Enhanced Motion Detection:** The Outdoor Camera is embedded with a PIR Sensor, which senses infrared light radiating from moving objects within its field of view. Motion detection for large objects, which are undetectable by the PIR Sensor, is achieved by built-in software that compares consecutive video frames for changes. When motion is detected, an alert can be sent, or some other action may be triggered.
- **Day/Night Switch:** With the day/night switching feature, the camera is able to view and record better images even in the dark of night.

Wireless Features

- **Standards Compliant:** The Outdoor Camera complies with the IEEE802.11g (DSSS) specifications for Wireless LANs.
- **Supports 802.11n Wireless Stations:** The 802.11n Draft standard provides for backward compatibility with the 802.11b standard, so 802.11n, 802.11b and 802.11g Wireless stations can be used simultaneously.
- **Speeds up to 108Mbps:** All speeds up to the 802.11n maximum of 108Mbps are supported.
- **Security Support:** Full WEP (64/128 Bit), WPA and WPA2 Personal standards are supported on the Wireless interface, allowing advanced encryption of wireless data.

Chapter 2

Basic Setup

2

This Chapter provides details on how to setup and mount the Outdoor Camera.

You can also refer to details about assembly of this device in the online setup wizard at <http://monitoringcontrol.verizon.com>

System Requirements

- To use the Wired Interface, a standard router and network cable are required.
- To use the Wireless Interface, other Wireless devices must be compliant with the IEEE802.11b, IEEE802.11g or IEEE 802.11n specifications. All Wireless stations must use compatible settings.

Physical Details – Outdoor Camera

Front Panel - Outdoor Camera

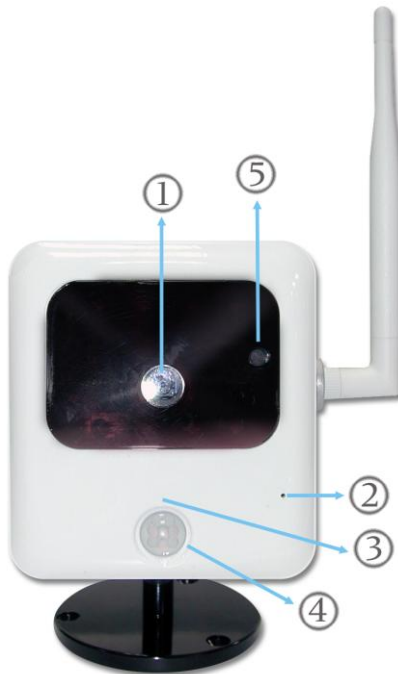


Figure 1: Front Panel – Outdoor Camera

- 1. **Lens** No physical adjustment is required or possible for the lens, but you should ensure that the lens cover remains clean. Image quality is degraded if the lens cover is dirty or smudged.

- 2. **Microphone** The Outdoor Camera comes with a built-in microphone.
 (Not currently supported)

- 3. **Power LED** **On** - Powered on
 Off - No power
 Blinking - The Power LED blinks during power up. This can take up to 20 seconds.

- 4. **Passive Infrared (PIR) Sensor** The PIR Sensor is designed for motion detection.

- 5. **Light Sensor** The Light Sensor detects luminance.

Rear Panel - Outdoor Camera

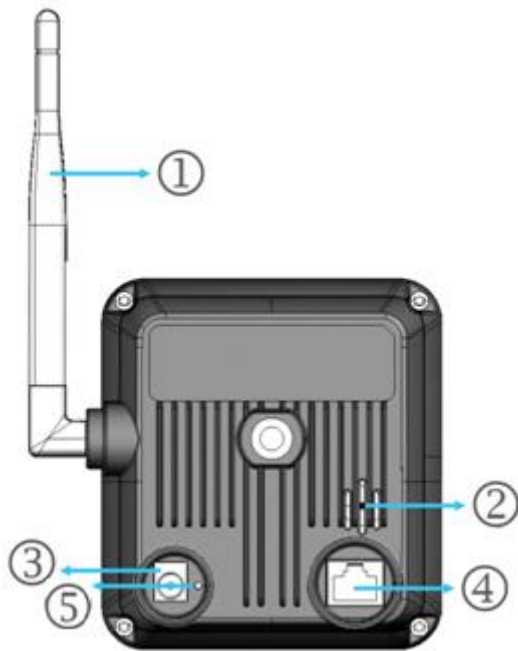


Figure 2: Rear Panel – Outdoor Camera

- 1. Antenna** The antenna is adjustable; best results are usually obtained with the antenna positioned vertically.
- 2. Speaker**
(Not currently supported) The Outdoor Camera comes with a built-in speaker.
- 3. Power port** The supplied 12V power adapter plugs in here to power on the Outdoor Camera.
Note: Do not use any other power adapters since doing so may damage the Outdoor Camera.
- 4. Ethernet port** The supplied Ethernet cable plugs in here enabling you to connect your Outdoor Camera to your router.
Note:
 - Plugging in the Ethernet cable will disable the Wireless interface. Only one (1) interface can be active at any time.
 - The Ethernet cable should only be connected or disconnected when the camera is powered OFF. Attaching or detaching the Ethernet cable while the camera is powered on does NOT switch the interface between wired and wireless.
 - Detaching the Ethernet cable when the camera is powered ON will disconnect the Outdoor Camera from the network.
- 5. Reset Button** The Reset button is recessed; a pin or paper clip can be used to press it. It can be activated at any time when the camera is powered on.
Reset to default manufacturer values and reboot. When pressed and held for ten (10) seconds, settings of the Outdoor Camera will be set to their default manufacturer values.

Setup the Outdoor Camera

Please follow the steps below to assemble and connect your camera. Once complete, you have the option to utilize your camera in a wired or wireless fashion.

Go to <http://monitoringcontrol.verizon.com> and follow the steps provided in the online setup wizard. This will enable you to setup and connect your camera to the Home Control Network.

You may also follow the steps below to assemble your camera and then visit the online setup wizard to connect your camera.

Step 1: Attach the Antenna

- a. Attach the antenna to the Outdoor Camera by turning it clockwise on the side of the camera.
- b. Put the antenna in the upright position to improve wireless reception.



Step 2: Connect the Outdoor Camera's Stand.

- a. Attach the stand and swivel connector together



- b. Attach the stand and swivel connector to the mounting base by turning clockwise



Step 3: Visit the Online Portal

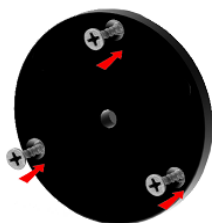
Go to <http://monitoringcontrol.verizon.com> and follow the steps provided in the online setup wizard. This will enable you to setup and connect your camera to the Home Control Network.

Mount the Outdoor Camera

Note: Please ensure camera is configured and added to the network before permanent mounting.

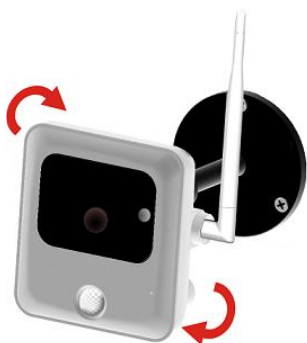
Step 1: Install the Mounting Base

- a. Hold the mounting base on the wall at the desired location
- b. Screw the three mounting screws through the mounting base into the wall



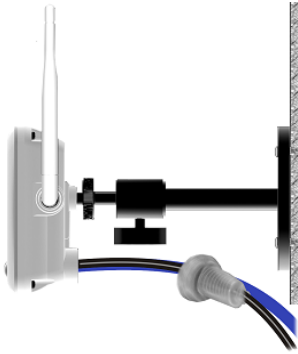
Step 2: Mount the Camera

- a. Attach the Outdoor Camera to the swivel connector by turning it clockwise



Step 3: Complete the Camera's Mount

- a. Make sure the Outdoor Camera is firmly fixed on the wall
- b. Adjust the Outdoor Camera to the preferred position



Appendix A

Specifications



Outdoor Camera

Model	Outdoor Camera
Dimensions	94mm (W) * 103mm (H) * 37mm (D)
Operating Temperature	0° C to 45° C
Storage Temperature	-20° C to 70° C
Network Protocols	TCP/IP, HTTP, HTTPS, DHCP, SMTP, FTP, UPnP, DDNS, NTP, RTP, RTCP, RTSP, SMB
Network Interface	1 Ethernet 10/100BaseT (RJ45) LAN connection
Wireless interface (Wireless Model Only)	IEEE 802.11n/802.11b/802.11g compatible, Infrastructure/Ad-hoc mode, WEP/WPA Personal/WPA2 Personal security support, roaming support
LEDs	1
Power Adapter	12V/1A, 100~240 VAC

Regulatory Approvals

FCC Statement

This equipment generates, uses, and can radiate radio frequency energy and, if not installed and used in accordance with the instructions, may cause harmful interference to radio communications. However, there is no guarantee that interference will not occur in a particular installation. If this equipment does cause harmful interference to radio or television reception, which can be determined by turning the equipment off and on, the user is encouraged to try to correct the interference by one of the following measures:

- Reorient or relocate the receiving antenna.
- Increase the separation between the equipment and receiver.
- Connect the equipment into an outlet on a circuit different from that to which the receiver is connected.
- Consult the dealer or an experienced radio/TV technician for help.

To assure continued compliance, any changes or modifications not expressly approved by the party responsible for compliance could void the user's authority to operate this equipment. (Example - use only shielded interface cables when connecting to computer or peripheral devices).

FCC Radiation Exposure Statement

This equipment complies with FCC RF radiation exposure limits set forth for an uncontrolled environment. This equipment should be installed and operated with a minimum distance of 20 centimeters between the radiator and your body.

This device complies with Part 15 of the FCC Rules. Operation is subject to the following two conditions:

- (1) This device may not cause harmful interference, and
- (2) This device must accept any interference received, including interference that may cause undesired operation.

This transmitter must not be co-located or operating in conjunction with any other antenna or transmitter.

CE Approvals

The Outdoor Camera and the Ethernet Outdoor Camera meet the guidelines of the European Union and comply with the 99/5/EEC and RTTE 99/5EG directives, including the following standards:

- EN60950-1
- EN300 328
- EN301 489
- EN55024

This is a Class B product. In a domestic environment this product may cause radio interference in which case the user may be required to take adequate measures.

This product is UL and cUL certified and comply with UL60950-1 Information Technology Equipment applicable requirement.